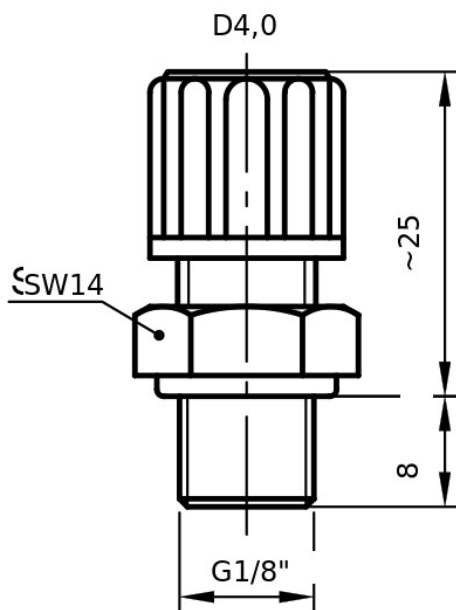




Illustration exemplary



All data in mm; Illustration exemplary

2M100MG4018PF

Straight connector with connection for pipe (Series 2M) and male G-thread

Technical data

Connection A	D4.0
Connection B	G1/8"
Material Body	PFA
Material O-ring	-
Pressure Stage	PN1
Max. Media Temperature	180°C
Material Sealing Cone	PTFE
Material Disc	PVDF

Starting from the nominal pressure rating (at 20°C), the permissible pressure reduces with increasing media temperature.