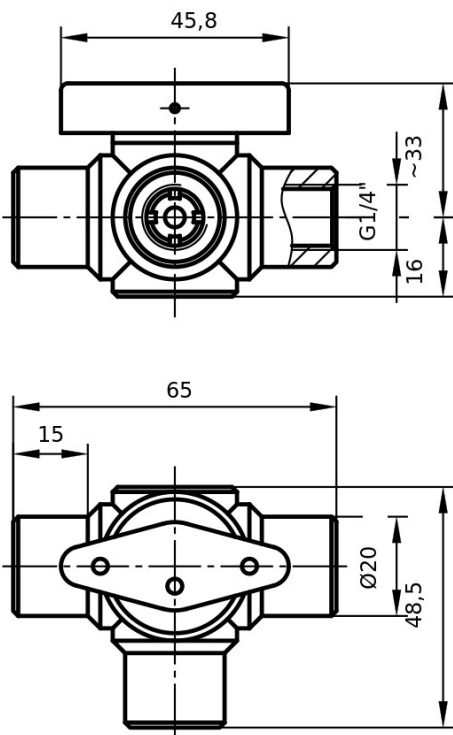




Illustration exemplary



All data in mm; Illustration exemplary

6L733F0414PPFP

Ball valve (Series 6L) with female G- or NPT-thread, 3-way, horizontal, with T-bore

Technical data

Connection	G1/4"
Nominal Diameter	DN04
Material Body	PP
Material O-ring	FKM
Material Ball	PP
Material Sealing Sleeve	PTFE
Material Pressure Screw	-
Kvs Value	0.58 m ³ /h
Max. Media Temperature	90°C
Pressure Stage	PN10

Starting from the nominal pressure rating (at 20°C), the permissible pressure reduces with increasing media temperature.