



Illustration exemplary

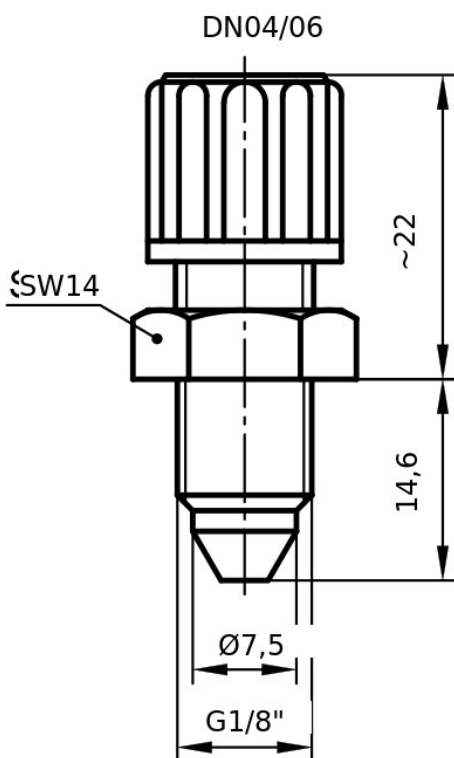
1A100MGV4018PP

Straight connector for flexible tube (Series 1A) with male G-thread, dead volume free

Technical data

Connection A	DN04/06
Connection B	G1/8"
Material Body	PP
Max. Media Temperature	90°C

Starting from the nominal pressure rating (at 20°C), the permissible pressure reduces with increasing media temperature.



All data in mm; Illustration exemplary