



Illustration exemplary

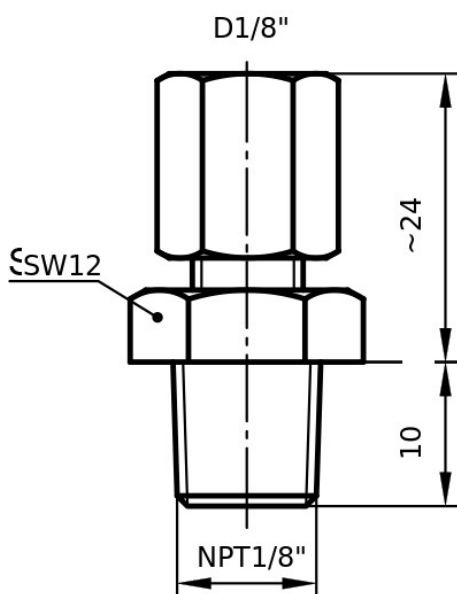
2N100MN0318PF

Straight connector with connection for pipe (Series 2N) and male NPT-thread

Technical data

Connection A	D1/8"
Connection B	NPT1/8"
Material Body	PFA
Pressure Stage	PN10
Max. Media Temperature	180°C

Starting from the nominal pressure rating (at 20°C), the permissible pressure reduces with increasing media temperature.



All data in mm; Illustration exemplary