



Illustration exemplary

1D200MN1112PF

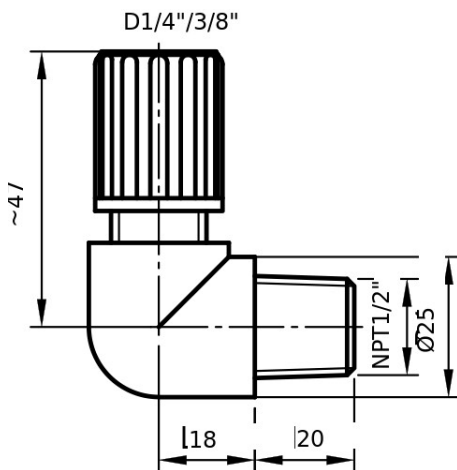
Elbow connector with connection for flexible tube (Series 1D), (flare) and male NPT-thread

Technical data

Connection A	D1/4"/3/8"
Connection B	NPT1/2"
Material Body	PFA
Material Knurled Nut	PVDF
Pressure Stage	PN10
Max. Media Temperature	180°C

Starting from the nominal pressure rating (at 20°C), the permissible pressure reduces with increasing media temperature.

The knurled nut is also available in PFA on request



All data in mm; Illustration exemplary