



Illustration exemplary

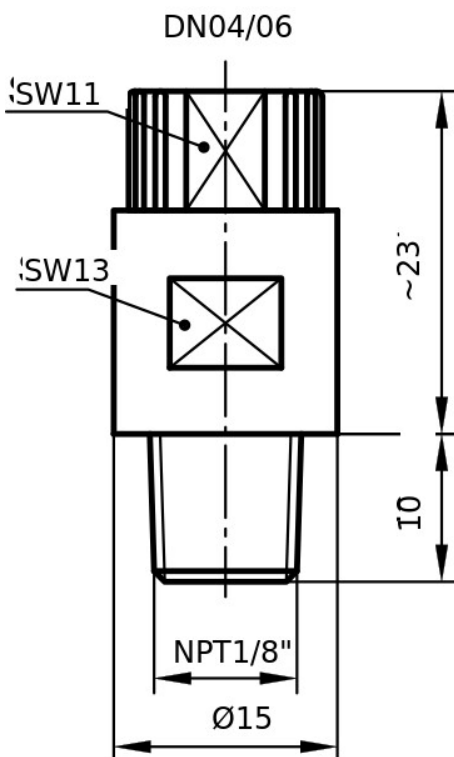
1+100MN4018PF

Straight connector for flexible tube with series 1+ connection and male NPT-thread

Technical data

Connection A	DN04/06
Connection B	NPT1/8"
Material Body	PFA
Material Pressure Screw	PFA
Pressure Stage	PN16
Max. Media Temperature	180°C

Starting from the nominal pressure rating (at 20°C), the permissible pressure reduces with increasing media temperature.



All data in mm; Illustration exemplary