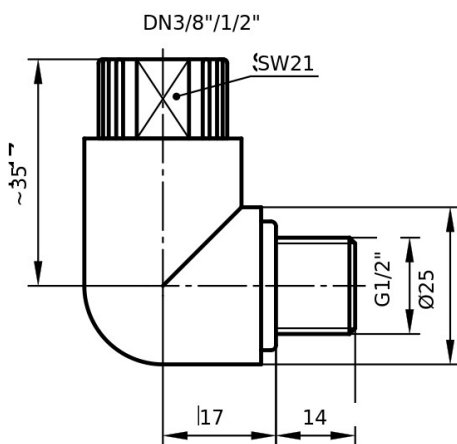




Illustration exemplary



All data in mm; Illustration exemplary

1+200MG1512PV

Elbow connector with series 1+ flexible tube connection and male G-thread

Technical data

Connection A	DN3/8"/1/2"
Connection B	G1/2"
Material Body	PVDF
Material O-ring	-
Material Pressure Screw	PVDF
Pressure Stage	PN16
Max. Media Temperature	140°C

Starting from the nominal pressure rating (at 20°C), the permissible pressure reduces with increasing media temperature.