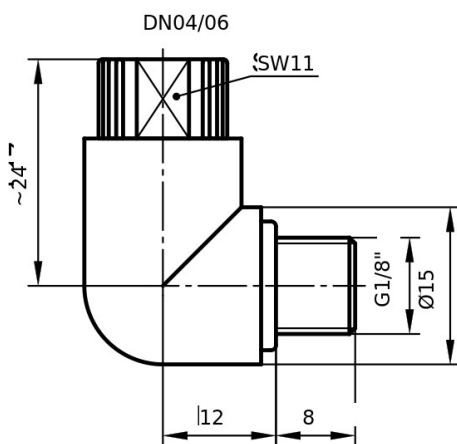




Illustration exemplary



All data in mm; Illustration exemplary

1+200MG4018PP

Elbow connector with series 1+ flexible tube connection and male G-thread

Technical data

Connection A	DN04/06
Connection B	G1/8"
Material Body	PP
Material O-ring	-
Material Pressure Screw	PP
Pressure Stage	PN16
Max. Media Temperature	90°C

Starting from the nominal pressure rating (at 20°C), the permissible pressure reduces with increasing media temperature.