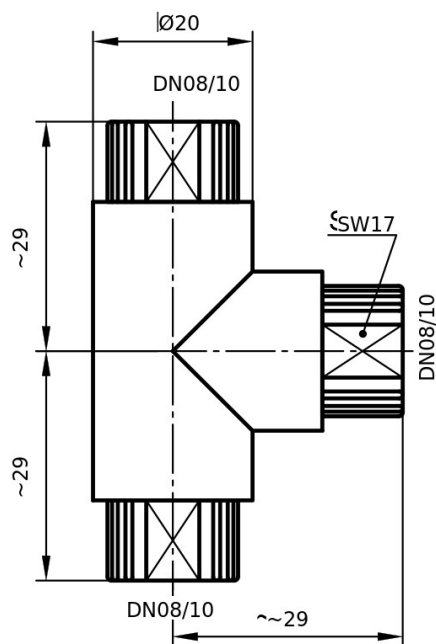


Illustration exemplary



All data in mm; Illustration exemplary

## 1+300T45PP

T-union with series 1+ flexible tube connection on all ends

### Technical data

Connection A	DN08/10
Connection B	DN08/10
Connection C	DN08/10
Material Body	PP
Material Pressure Screw	PP
Pressure Stage	PN16
Max. Media Temperature	90°C

Starting from the nominal pressure rating (at 20°C), the permissible pressure reduces with increasing media temperature.