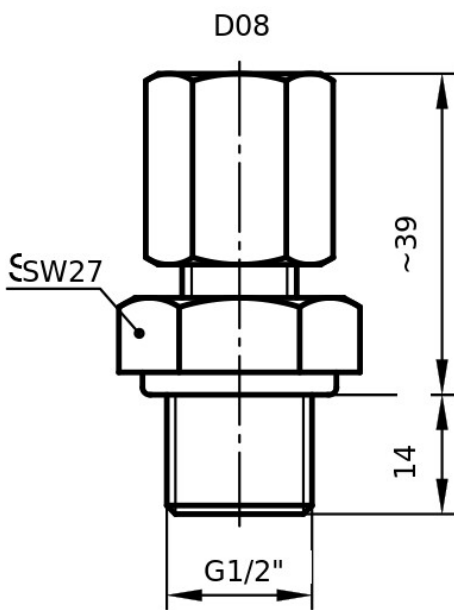




Illustration exemplary



All data in mm; Illustration exemplary

## 2D100MG4312PPFP

Straight connector with connection for pipe (Series 2D) and male G-thread

### Technical data

Connection A	D08
Connection B	G1/2"
Material Body	PP
Material O-ring	FKM
Pressure Stage	PN10
Max. Media Temperature	90°C

Starting from the nominal pressure rating (at 20°C), the permissible pressure reduces with increasing media temperature.