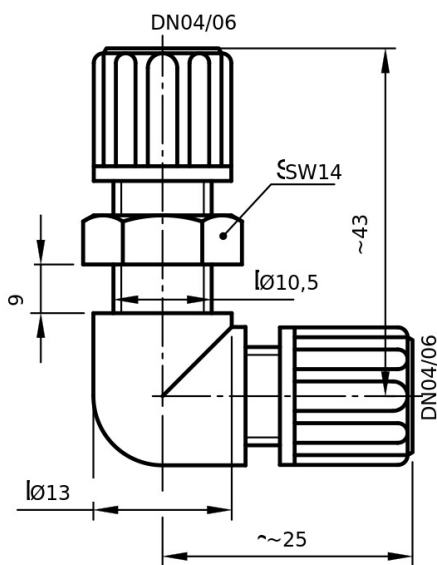




Illustration exemplary



All data in mm; Illustration exemplary

1A201T40PP

Elbow bulkhead union with connections for flexible tube (Series 1A)

Technical data

Connection A	DN04/06
Connection B	DN04/06
Material Body	PP
Pressure Stage	PN10
Max. Media Temperature	90°C

Starting from the nominal pressure rating (at 20°C), the permissible pressure reduces with increasing media temperature.