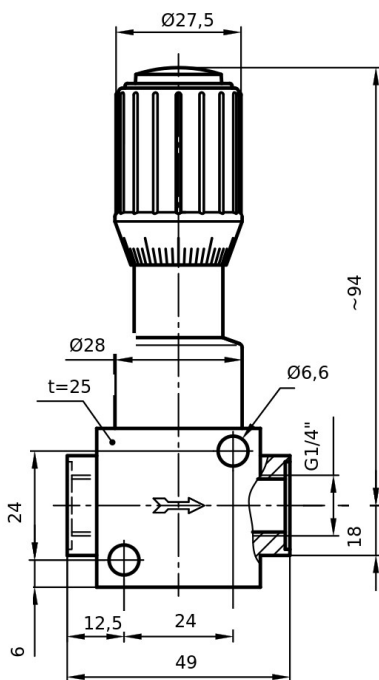




Illustration exemplary



All data in mm; Illustration exemplary

5A114G60414PVFP

Fine control valve (Series 5A) with adjustment scale, with female G-thread

Technical data

Nominal Diameter	DN04
Connection	G1/4"
Flow Rate	10-100l/h
Medium	water
Material Body	PVDF
Material O-ring	FKM
Material Spindle	PTFE
Kvs Value	0.100 m³/h
Max. Media Temperature	140°C
Pressure Stage	PN10

Starting from the nominal pressure rating (at 20°C), the permissible pressure reduces with increasing media temperature.

Durchflussmenge Wasser bei P = 1 bar, 20°C