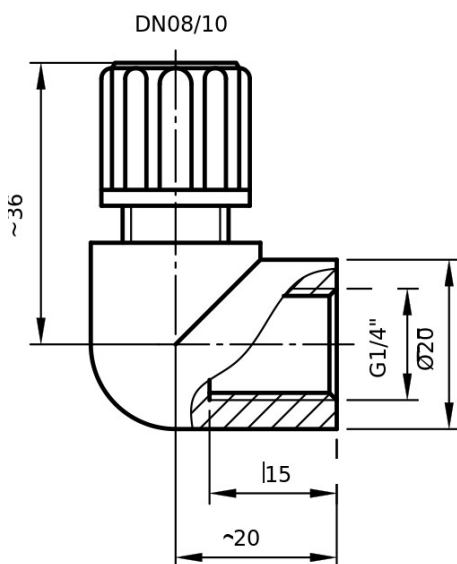




Illustration exemplary



All data in mm; Illustration exemplary

1C200FG4514PF

Elbow connector with connection for flexible tube (Series 1C) and female G-thread

Technical data

| | |
|------------------------|---------|
| Connection A | DN08/10 |
| Connection B | G1/4" |
| Material Body | PFA |
| Material Sealing Ring | PTFE |
| Material Cutting Ring | PEEK |
| Pressure Stage | PN10 |
| Max. Media Temperature | 180°C |

Starting from the nominal pressure rating (at 20°C), the permissible pressure reduces with increasing media temperature.