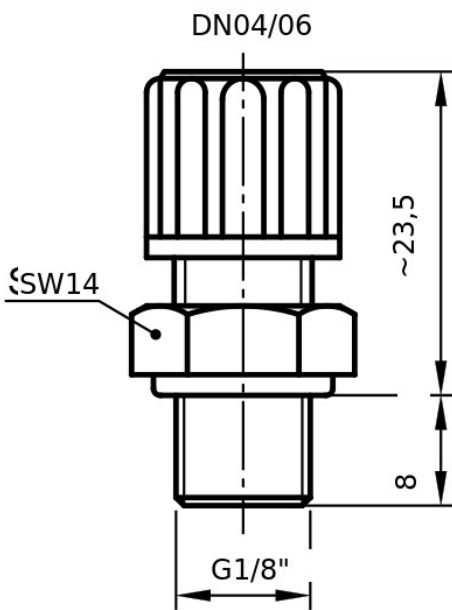




Illustration exemplary



All data in mm; Illustration exemplary

1A100MG4018PPFP

Straight connector with connection for flexible tube (Series 1A) and male G-thread

Technical data

Connection A	DN04/06
Connection B	G1/8"
Material Body	PP
Material O-ring	FKM
Pressure Stage	PN10
Max. Media Temperature	90°C

Starting from the nominal pressure rating (at 20°C), the permissible pressure reduces with increasing media temperature.