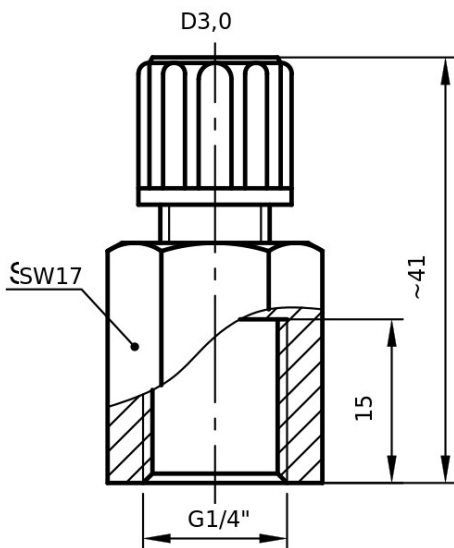




Illustration exemplary



All data in mm; Illustration exemplary

2M100FG3014PF

Straight connector with connection for pipe (Series 2M) and female G-thread

Technical data

Connection A	D3.0
Connection B	G1/4"
Material Body	PFA
Pressure Stage	PN1
Max. Media Temperature	180°C

Starting from the nominal pressure rating (at 20°C), the permissible pressure reduces with increasing media temperature.